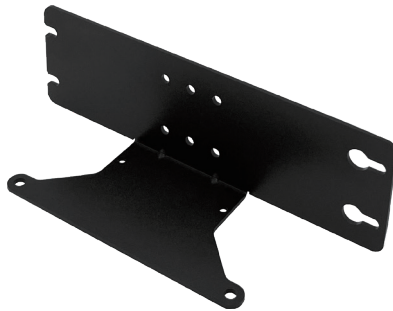


SIDE03

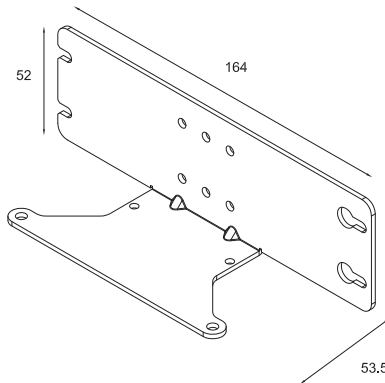
DC-1200 Series Side Mount Kit



Specifications

Mounting Method	• Side Mount (Optional DIN-Rail Mount Support)
Dimension (W x D x H)	• 164 x 53.5 x 52 mm
Weight	• 0.18 kg
Material	• SECC

Dimensions



Unit: mm

Ordering Information

Available Models

Model No.	Description
SIDE03	Side Mount Kit for DC-1200 Series, with KMRH-K175 for DIN-Rail option

Package Checklist

• Side Mount Bracket x1	• Screw Pack x1
• KMRH-K175 x1	

Compatible List

Model No.	SIDE03
DC-1200	V

V : Compatible